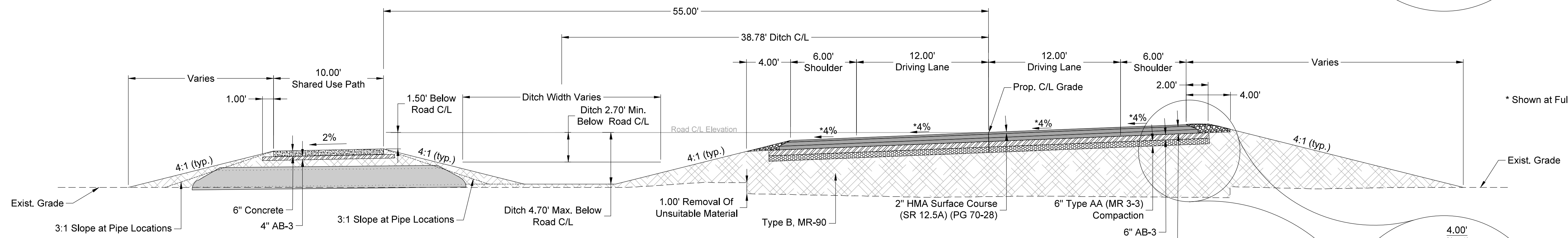
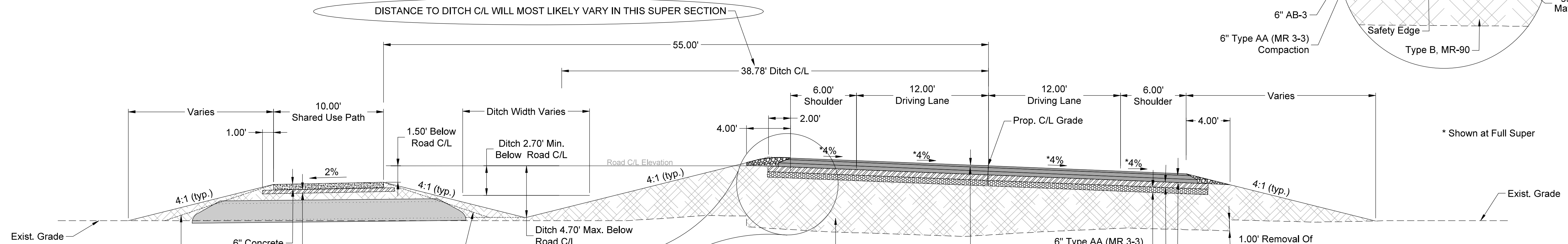


**RTE 5 TYPICAL SECTION**  
STA. XXX to STA. XXX



**RTE 5 TYPICAL SECTION**  
STA. XXX to STA. XXX



**RTE 5 TYPICAL SECTION**  
STA. XXX to STA. XXX



Project: "CONCEPT PLANS"	Project No.:
Designed By: M.S.	Drawn By: J.S.
Checked By: C.V.	Date: 4/3/2024